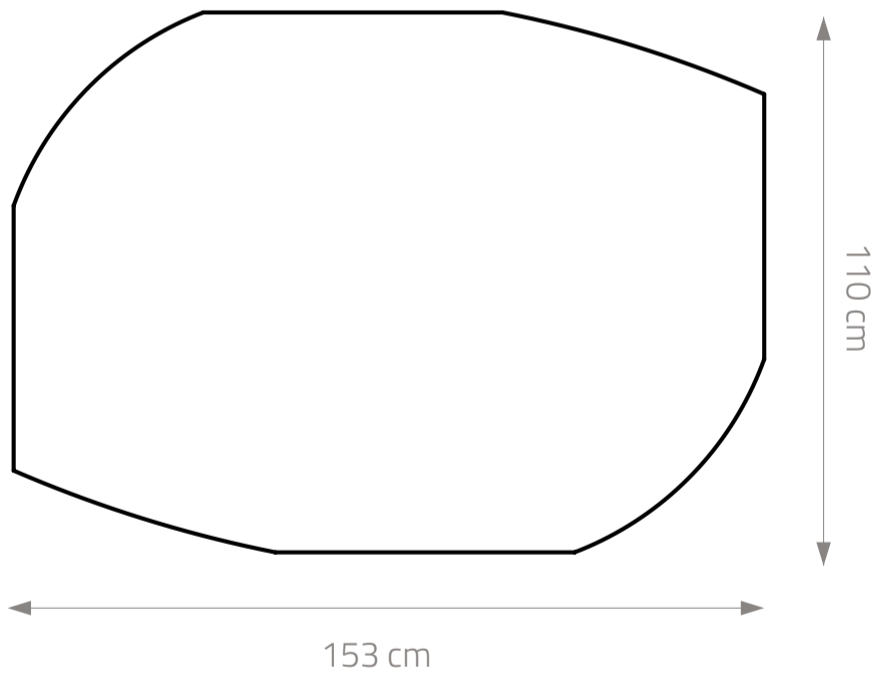
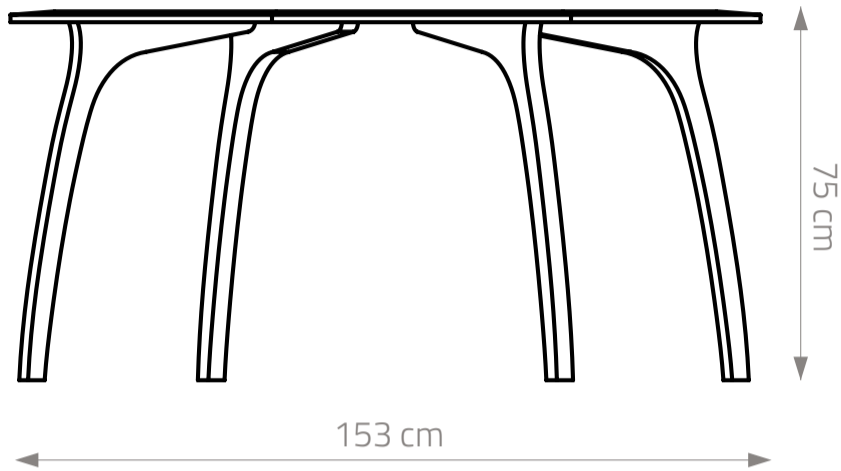


name	symbol	dimensions h/w/l
POSITIVO table		75 / 110 / 153 cm



POSITIVO table

Table made of plywood with laminated tops. The set is meant both for private interior and creative spaces, ie. design workshops. Simple, dynamic forms and small shapes allow individual arrangement of space. The solid, despite its small size, table can be used to dine with a big family, and none will be sat on the corner.

Materials: laminate, hardwood plywood