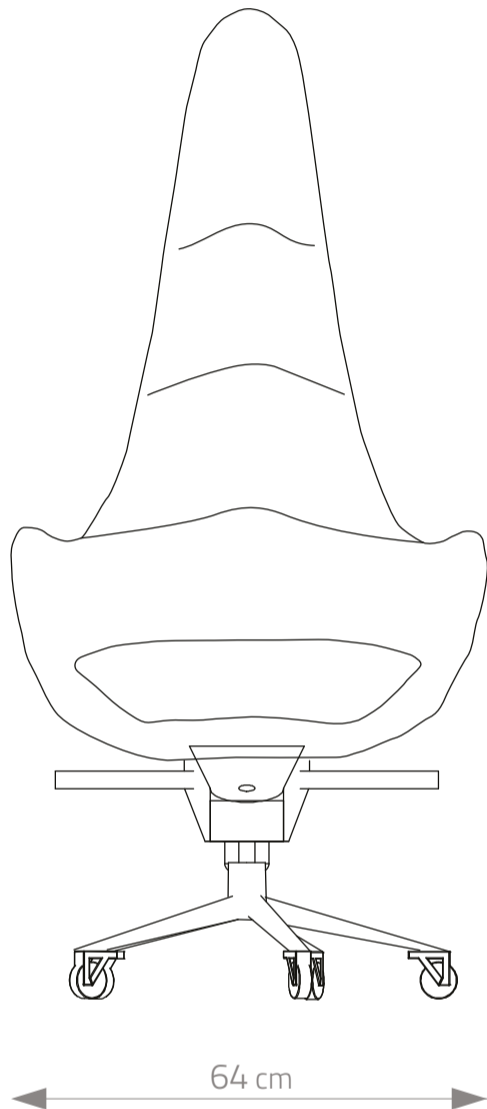


name	symbol	dimensions h/w/l
KAME chair		135-140/ 64/ 60 cm



KAME DESK chair

One of the inspirations for this piece was a movement of a glacier - Kame is a glacial landform, a leftover mound of sand and gravel that accumulated in glacier depression.

Project: Cyryl Zakrzewski (2018)

Materials: panguaneta® poplar plywood, leather
Finish: Lacquer

Each piece is sculpted by hand and carefully finished.

Materials, finish and dimensions can be different and adjusted upon request.

